



**LUSSOSTELLA**

# **Foshan Lusso Home Co.,Ltd.**

Room No.1111 and Room 1210-1213, 2nd Floor, Building 1, No.27 Baota Road,

Chancheng District, Foshan City, Guangdong Province, China

Stella: M:0086-13929975553 T:0086-0757-82706385

E:Team@lussohome.net

# Aluminum U Channel Base Shoe Glass Railing



# U Channel Base Shoe Options

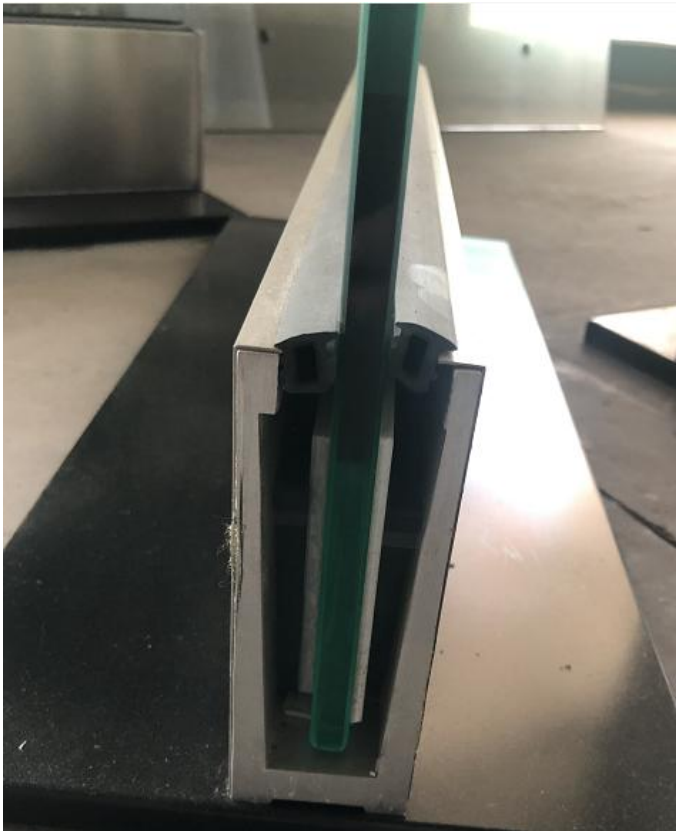
## LS-0231

U Channel Size: 45\*123mm 1.773" x218.079"

Application: Balcony & Decking

Can be using Floor : 1-5th Floor

Glass Thickness: 10-12mm 0.394-4.728mm



## LS-0237

U Channel Size: 60\*120mm  
2.364" X 283.68"

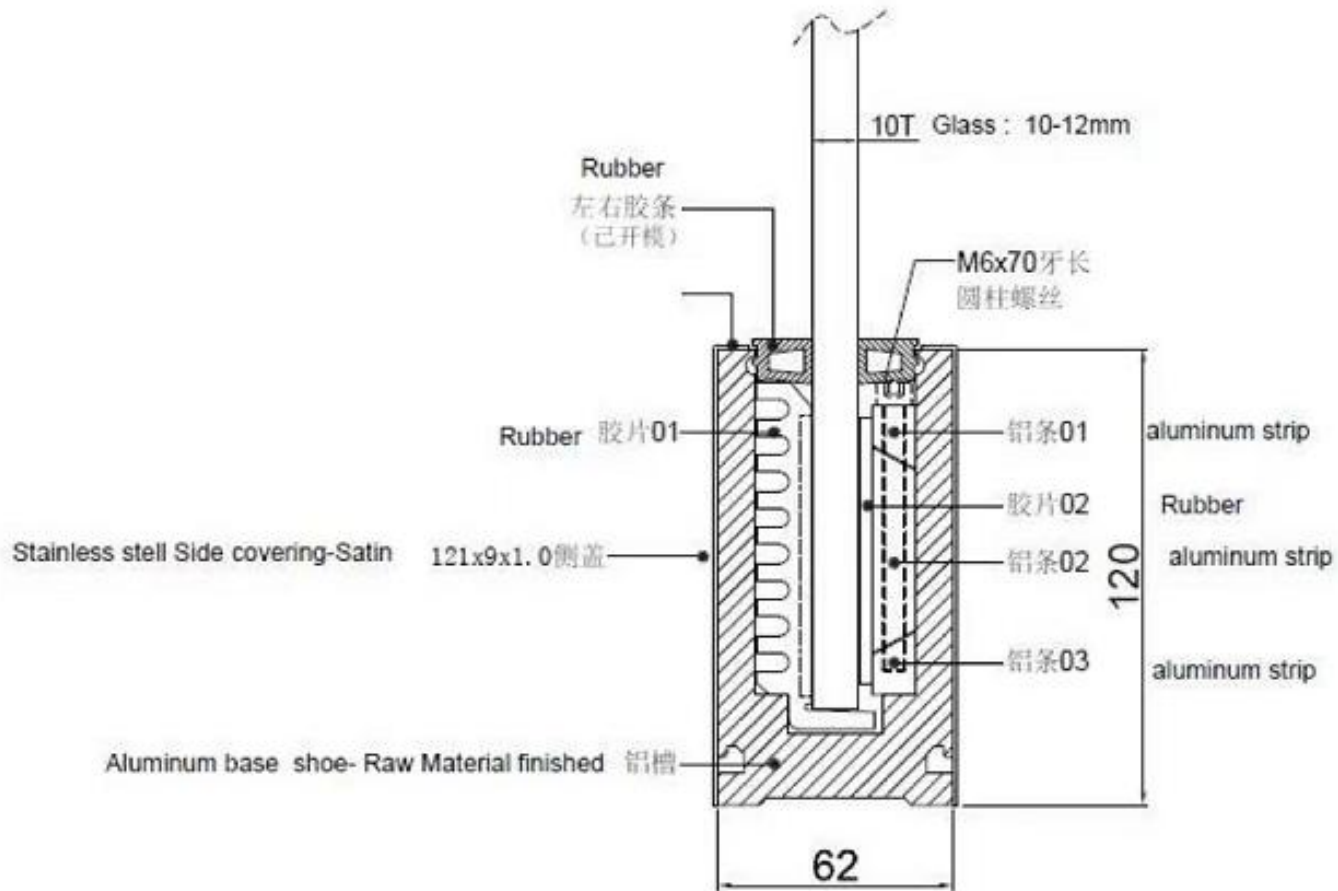
Application: Balcony & Decking

Can be using Floor : 5-10th Floor

Glass Thickness: 12-17.52mm  
0.4728"- 8.283"

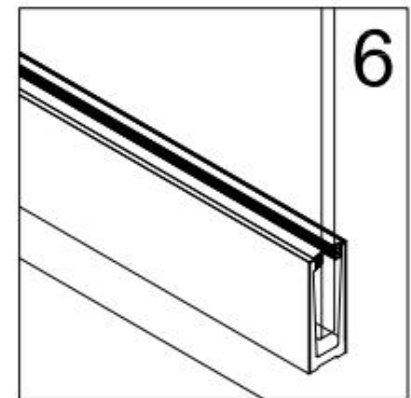
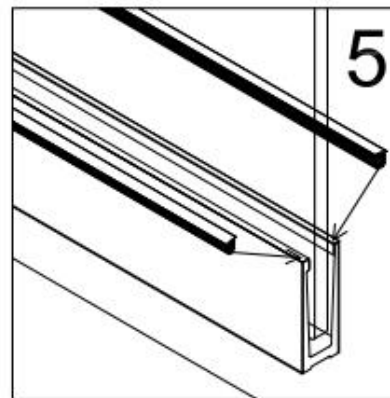
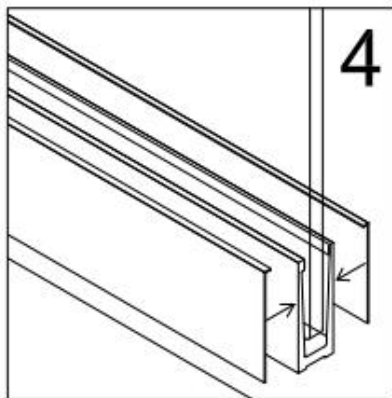
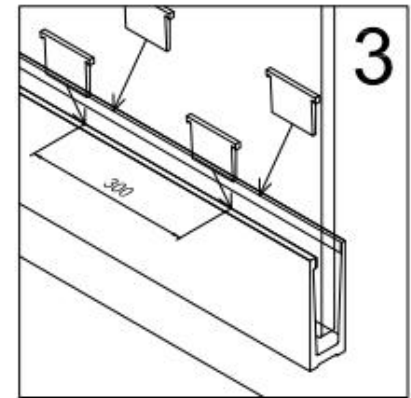
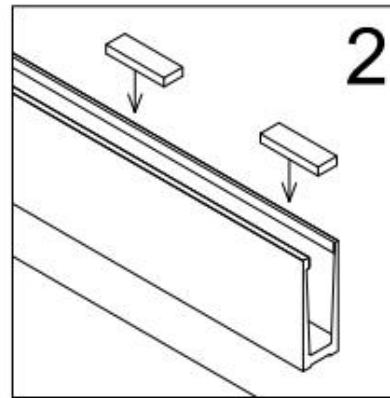
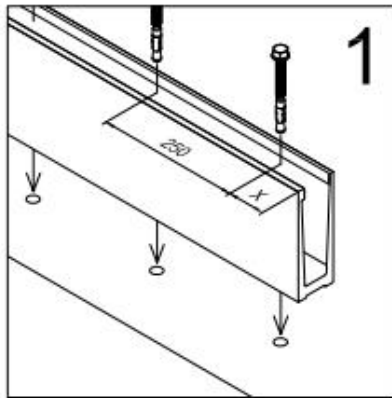
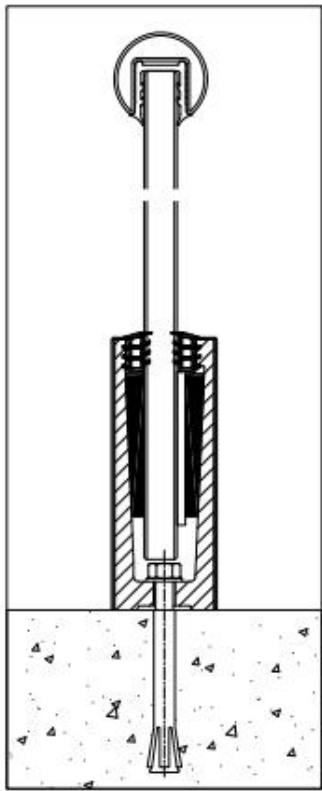


# Aluminum structure Specification



# How To Install

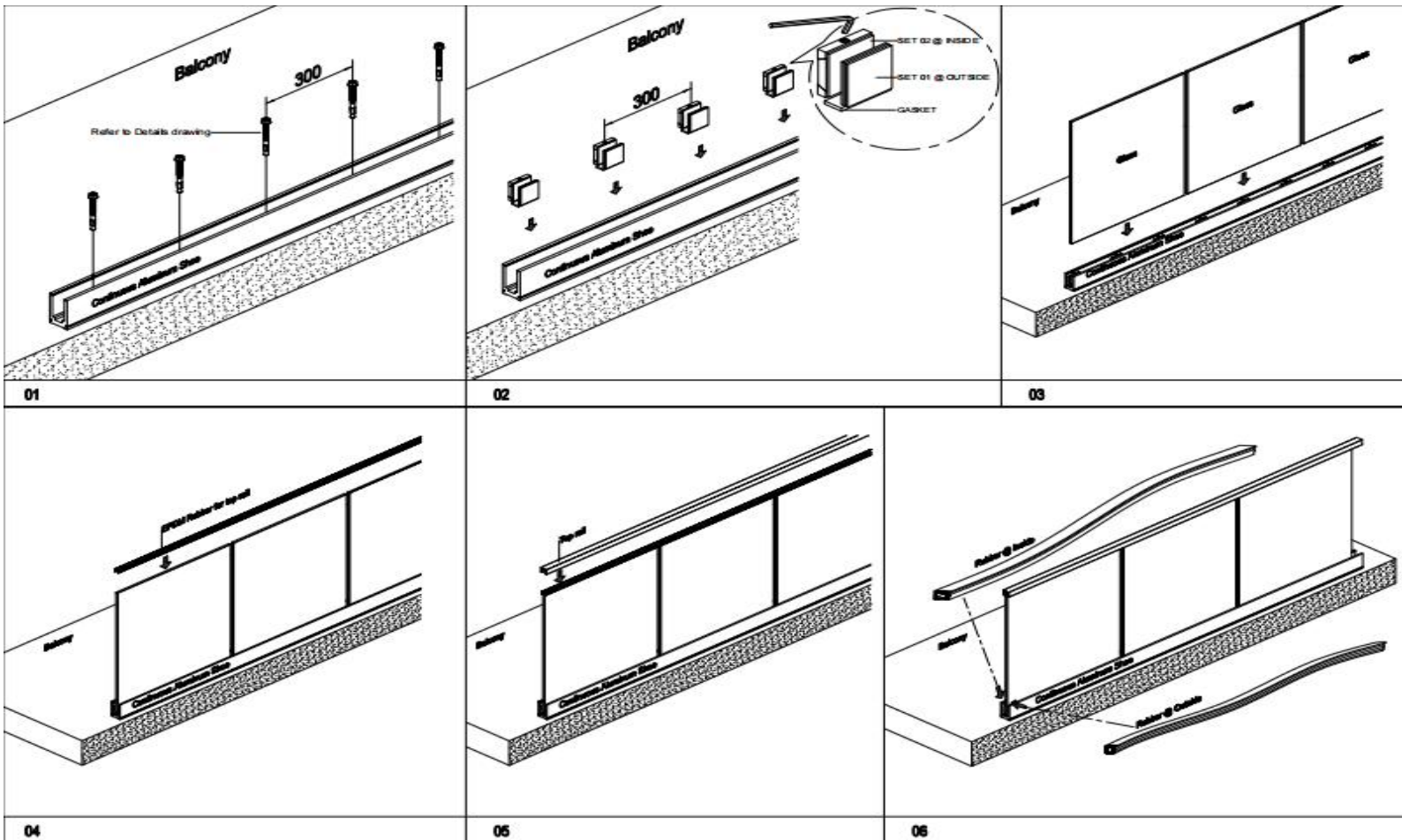
## LS-0231-Installation Instructions





# How To Install

## LS-0237-Installation Instructions



# Decking & Balcony Glass- Top Rail Black color



# Decking & Balcony Glass- Side Rail

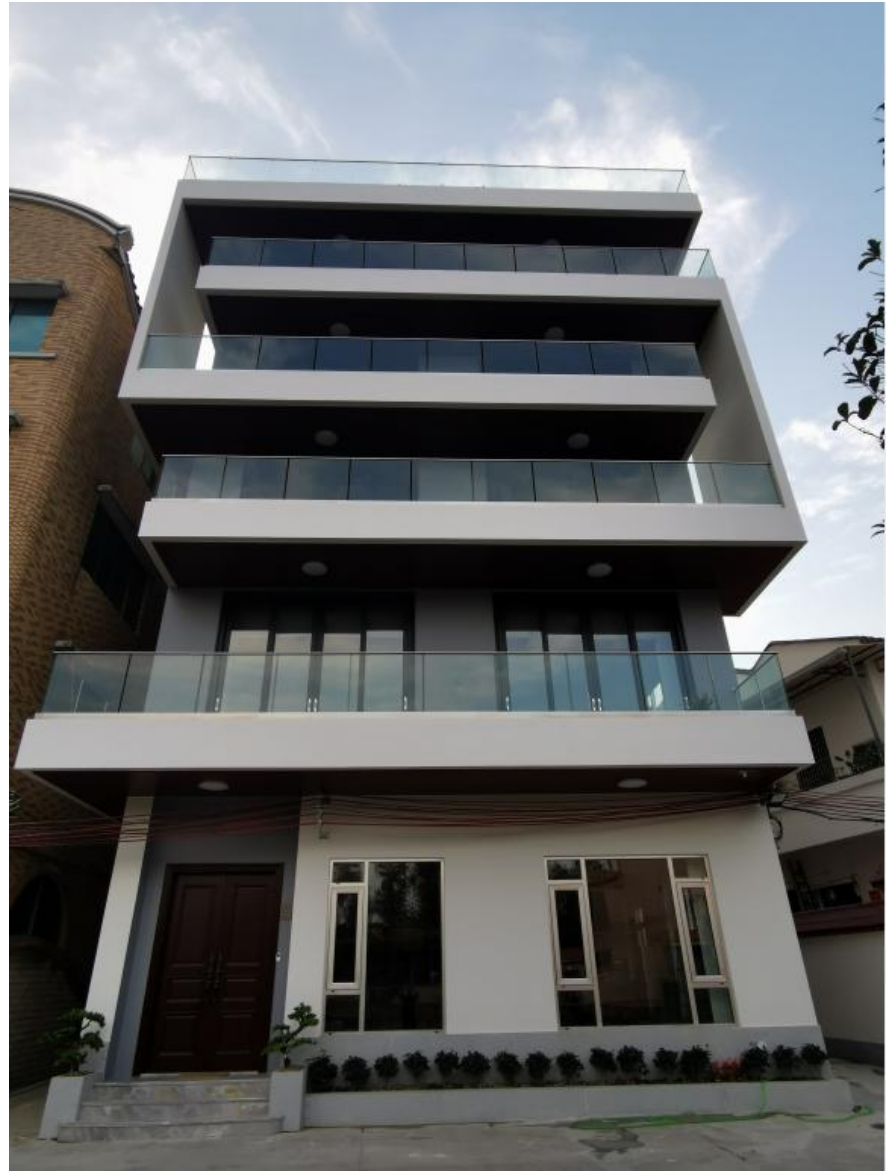




# Decking & Balcony Glass- Without Rail



# Project Cases





# Project Cases



# Spigot Railings Options

## LS-1119LS

Spit Size: 45\*50\*10Hmm

1.773"x 88.65"x886.5"H

Application: Balcony & Decking& Pool

Floor : 1-5th Floor

Glass Thickness: 10-13.52mm 0.394" -5.326"



## LS-1119DS

Spit Size:  $\phi 48$ \*180Hmm

1.8912" x 340.416"

Application: Balcony & Decking& Pool

Floor : 1-5th Floor

Glass Thickness: 10-13.52mm

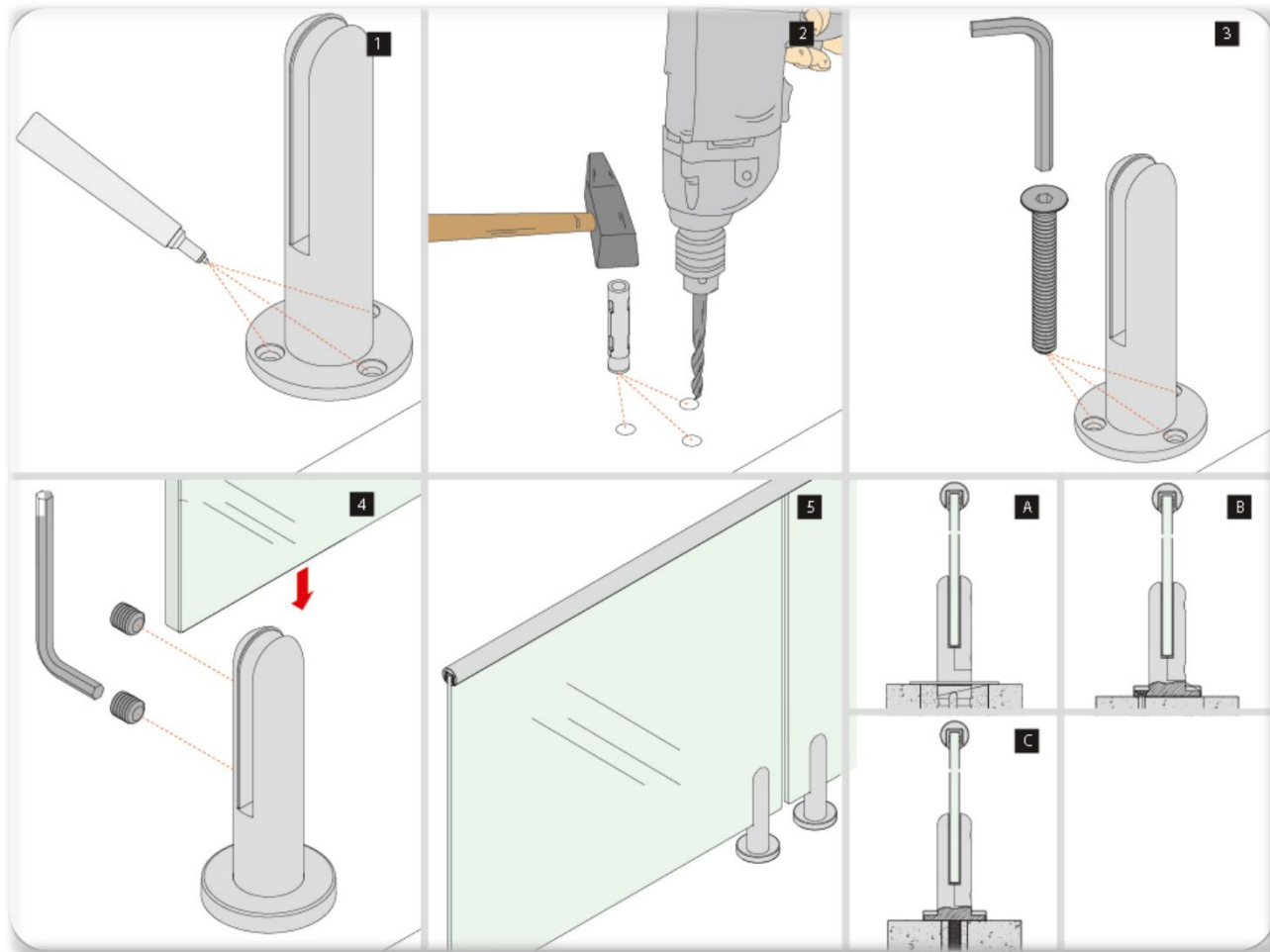
0.394" -5.326"





# How To Install

## LS-1119LS & 1119DS-Installation Instructions



# Decking & Balcony Glass- Top Rail Satin Finished



# Decking & Balcony Glass- Side Rail Satin Finished





# Decking & Balcony Glass- Without Rail Satin Finished





# Material & Surface Choosing

Material: Stainless steel 304# (Indoor Using) & Stainless steel 316#(Outdoor Using, especial using for the house near by sea)

Surface Options :



Glass Options :

